

Position - Rotary

PF09 throttle position sensor



Description

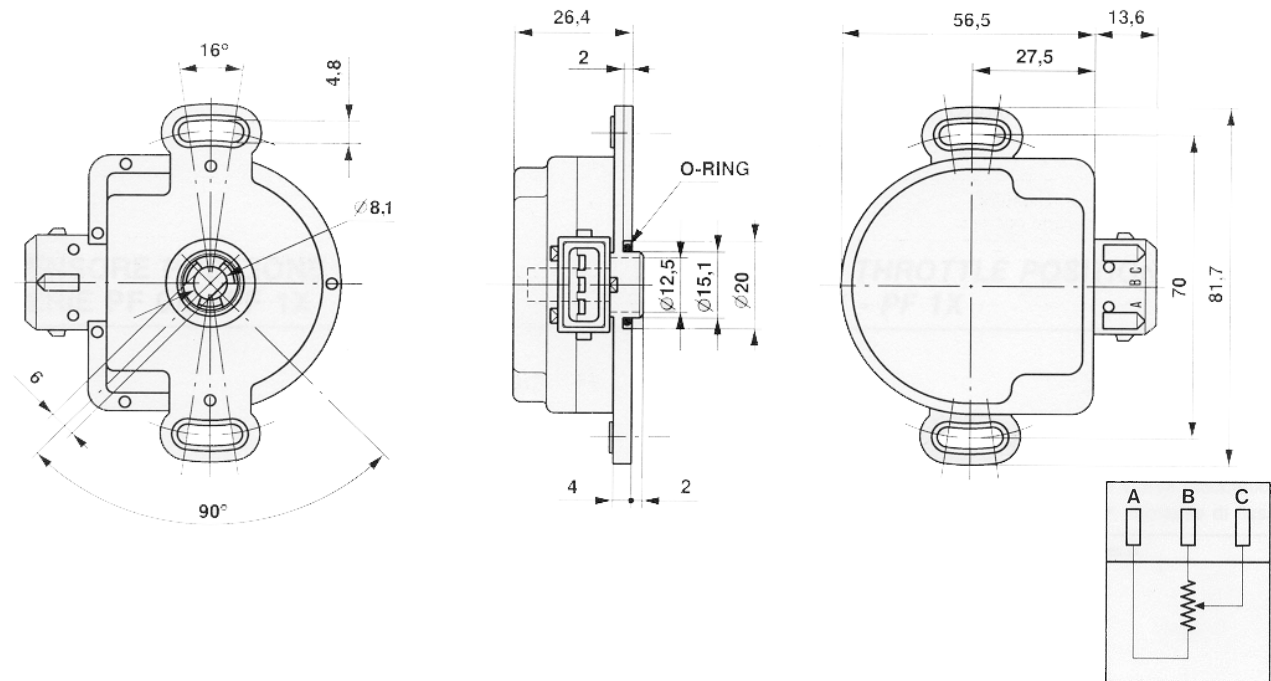
Automotive specification rotary potentiometer housed in fibreglass reinforced PBT casing. Output drive direction is 'Anti - clockwise' when viewed from the mounting face of the sensor

Typical applications are for throttle position measurement within a low cost or low volume serial production engine.

Drive method – Shaft with single flat side



Dimensions



Technical Data

Housing	PBT	+/- 20%
Power supply	5 Vdc	Usable electrical travel	90° +/- 3°
Connector	minitimer 3 way	Accuracy	+/- 3 %
Mechanical travel	90° +/- 2°	Temperature range	-30 > +125 °c
Mounting holes spacing	70 mm	Vibration	20g
Resistance	0.55 Kohm	In the range 60 > 1000Hz

Ordering information

Part No.	Description	Order Code
PF09	Rotary throttle potentiometer	219244350500

For further details please contact	
MM Data Systems Unit 3, Old Station Business Park, Compton, Berkshire, RG20 6NE England	Tel: +44 (0)8707 444666 Fax: +44 (0)8707 444888 www.mmcompsys.com mail@mmcompsys.com